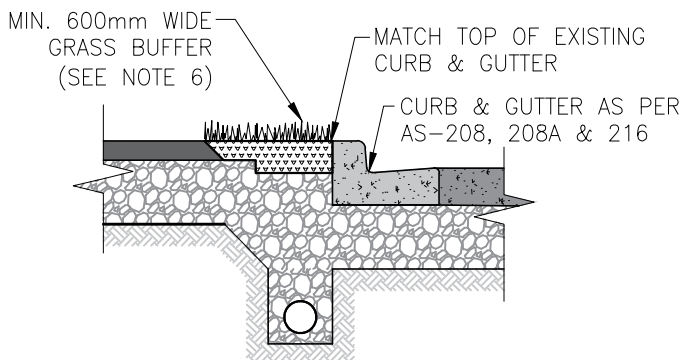
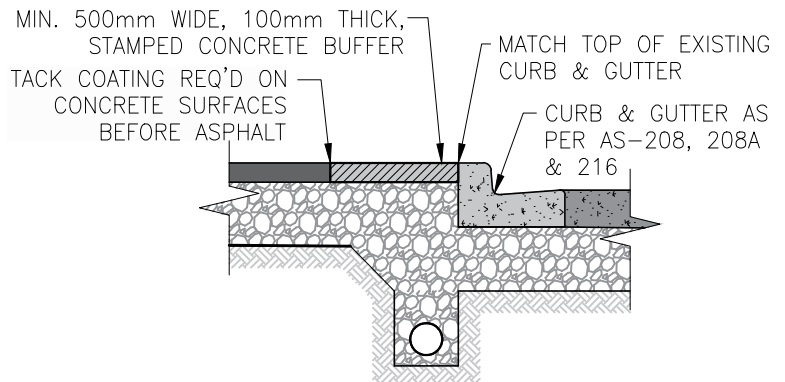


TYPICAL CROSS SECTION



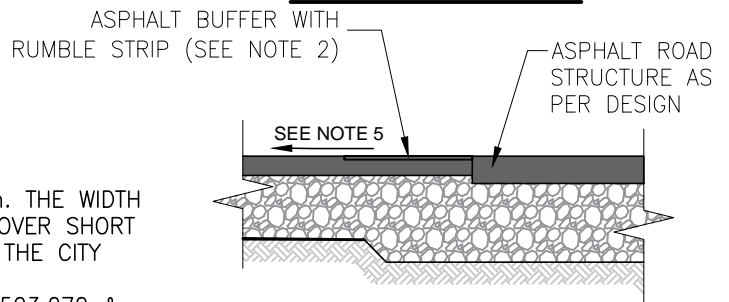
SCENARIO I

GRASSED BUFFER WITH CURB AND GUTTER



SCENARIO II

STAMPED CONCRETE BUFFER WITH CURB AND GUTTER




SCENARIO III

PAVED BUFFER WITH NO CURB AND GUTTER

NOTES:

- PREFERRED WIDTH OF ASPHALT MULTI-USE TRAILS IS 4.0m. THE WIDTH OF THE TRAIL MAY BE REDUCED TO A MINIMUM OF 2.4m OVER SHORT DISTANCES IN CONSTRAINED AREA WITH THE APPROVAL OF THE CITY ENGINEER.
- TO BE READ IN CONJUNCTION WITH OTM BOOK 18, MTOD 503.070 & 503.080, AS-401A, AS-403A, AS-506, AS-552, S-5, S-6, S-7, S-9, AND S-10.
- MINIMUM 0.5m HORIZONTAL CLEARANCE BETWEEN EDGE OF PAVED TRAIL AND VERTICAL HAZARDS SUCH AS POLES, BOLLARDS, BARRIERS, PEDESTALS, ETC., UNLESS OTHERWISE SPECIFIED BY CITY ENGINEER.
- CROSS FALL OF BOULEVARD AND GRASSED BUFFER SHALL BE A MINIMUM OF 2.0% AND MAXIMUM OF 8.0% AND SHALL BE RESTORED AS PER S-15 & S-34, UNLESS OTHERWISE SPECIFIED BY THE CITY ENGINEER.
- WHERE MULTI-USE TRAIL IS INSTALLED WITH A PAVED BUFFER AND WITHOUT CURB AND GUTTER, THE TRAIL SHALL DRAIN TOWARDS THE BOULEVARD RATHER THAN THE ROAD, UNLESS OTHERWISE SPECIFIED BY THE CITY ENGINEER.
- WHERE BUFFER WIDTH IS LESS THAN 600mm BUT NOT LESS THAN 500mm, USE SCENARIO II. FOR BUFFERS LESS THAN 500mm, THE PAVEMENT STRUCTURE OF THE MULTI-USE TRAIL SHALL BE EXTENDED TO THE BACK OF CURB. MINIMUM BUFFER OF 300mm REQUIRED.
- NON-WOVEN TERRAFIX GEOTEXTILE (270R) OR APPROVED EQUAL, UNLESS OTHERWISE SPECIFIED BY CITY ENGINEER. UNSUITABLE NATIVE SUBGRADE MATERIAL TO BE REMOVED AND REPLACED WITH ENGINEERED BACKFILL MATERIAL, UPON APPROVAL OF CITY ENGINEER.

NOT TO SCALE

 CITY OF WINDSOR ENGINEERING DEPARTMENT	
ASPHALT MULTI-USE TRAIL	
DR'N BY: AZ	DATE: MAY, 2024
REV. DATE: JUN, 2024	CH'KD BY (ENG): PM, JH
CH'KD BY (GEO/OPS): PJU, AL	PASSED BY: FM
_____ CITY ENGINEER	
AS-569	