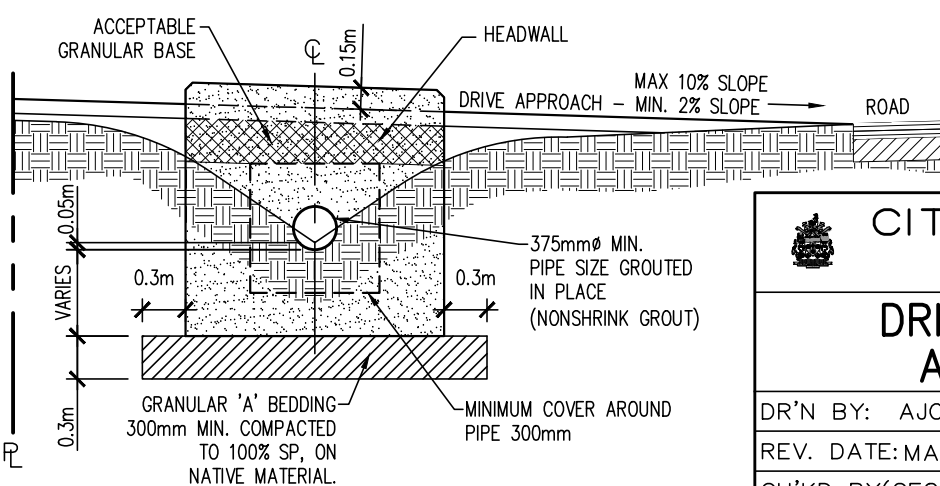


SECTION B-B


- NOTES:
- 1.) MUST MAINTAIN POSITIVE FLOW ACROSS CULVERT.
 - 2.) PIPE EMBEDMENT MIN. 50mm, OR 10% OF PIPE DIAMETER. WHICHEVER IS GREATER.
 - 3.) MINIMUM PIPE COVER TO BE 300mm AROUND PIPE.
 - 4.) HEADWALL TO BE APPROVED BY CITY ENGINEER FOR PIPE DIAMETER GREATER THAN 450mm
 - 5.) ACCEPTABLE PIPE MATERIAL; PVC, HDPE, OR CONCRETE SDR33
 - 6.) JUTE BAG HEADWALLS FOR PIPE DIAMETER OF 450mm OR LESS AND PRE-CAST OR ENGINEERED DESIGNED CONCRETE HEADWALLS APPROVED BY CITY ENGINEER FOR PIPE DIAMETER GREATER THAN 450mm.
 - 7.) TO BE READ IN CONJUNCTION WITH AS-203, AS-204, AS-209A, AS-221, AS-222.
 - 8.) MATCH THE EXISTING UPSTREAM AND DOWNSTREAM CULVERT DIAMETER, WHICHEVER IS GREATER. MINIMUM 375mm DIAMETER PIPE.
 - 9.) IF ADJACENT CULVERT IS LOCATED LESS THAN 1.5m FROM PROPOSED CULVERT A FULL CONNECTION AND ENCLOSURE IS REQUIRED
 - 10.) DRAWING AS-209 DOES NOT APPLY TO MUNICIPAL DRAINS

PLAN



SECTION A-A

NOT TO SCALE

| | |
|--|-----------------------|
|  CITY OF WINDSOR ENGINEERING DEPARTMENT | |
| DRIVEWAY APPROACH ACROSS CULVERT | |
| DR'N BY: AJC, AP, AZ | DATE: JUN, 2011 |
| REV. DATE: MAY, 2024 | CH'KD BY(ENG): PM, JH |
| CH'KD BY(GEO/OPS): PJU, AL | PASSED BY: FM |
| _____ CITY ENGINEER | |
| AS-209 | |