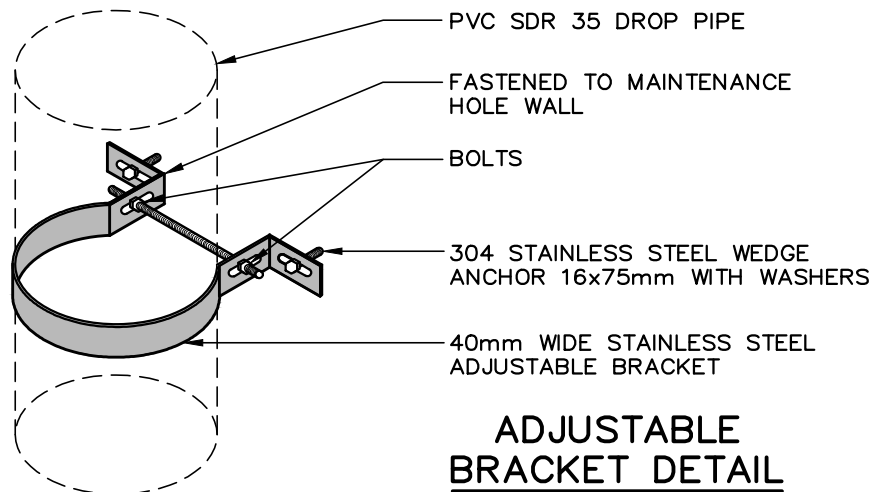


N.T.S.



N.T.S.

**NOTES:**

1. DROP STRUCTURES ARE REQUIRED IN MAINTENANCE HOLES WHERE THE DIFFERENCE IN ELEVATION BETWEEN INLET & OUTLET INVERTS ARE 600mm OR GREATER.
2. MAINTENANCE HOLE SIZE TO PROVIDE A MINIMUM 1200mm CLEARANCE FROM DROP PIPE TO MAINTENANCE HOLE WALL, UNLESS OTHERWISE DIRECTED BY CITY ENGINEER.
3. DROP PIPE TO BE ONE SIZE SMALLER THAN INCOMING SEWER PIPE, 250mm MINIMUM.
4. ADJUSTABLE BRACKETS TO BE SPACED AT 300mm AND DIRECTLY UNDER ANY BELL ENDS.
5. MAINTENANCE HOLE COVER MUST BE POSITIONED OVER DROP BOWL.
6. BENCHING TO INCLUDE TROUGH FOR DROP PIPE IN DIRECTION OF FLOW OF MAINLINE SEWER

<b>CITY OF WINDSOR</b>	
ENGINEERING DEPARTMENT	
<b>INTERNAL DROP STRUCTURE</b>	
DR'N BY: MF, AZ	DATE: APR, 2000
REV. DATE: MAR, 2024	CH'KD BY(ENG): PM, JH
CH'KD BY(GEO/OPS):PJU, AL	PASSED BY: FM
_____ CITY ENGINEER	<b>AS-527</b>