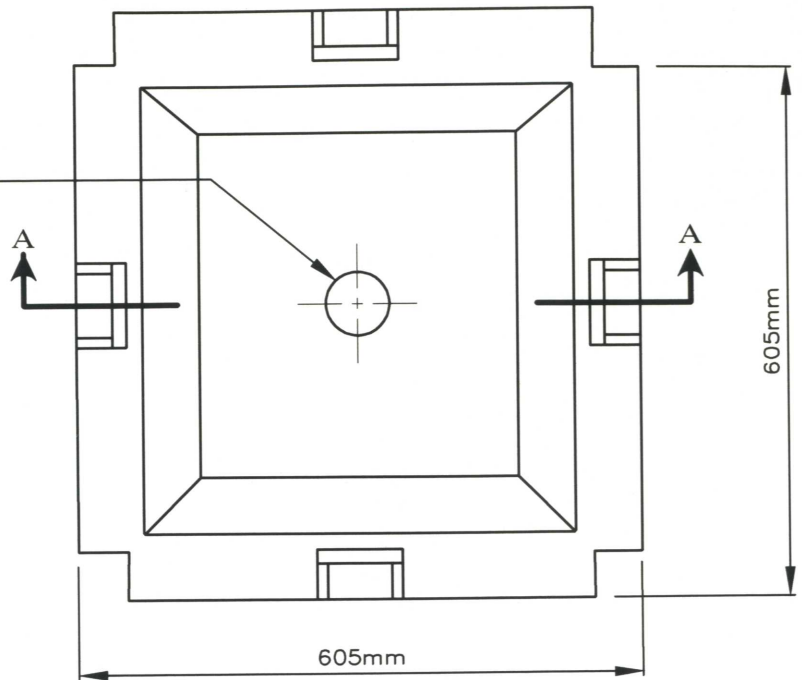
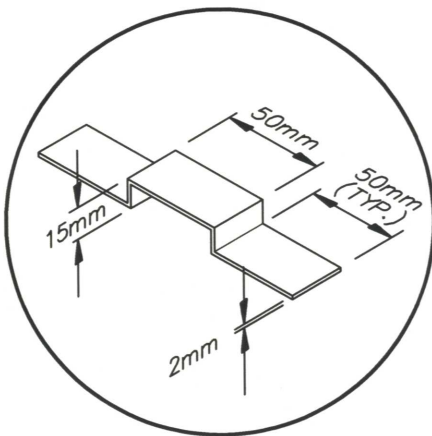


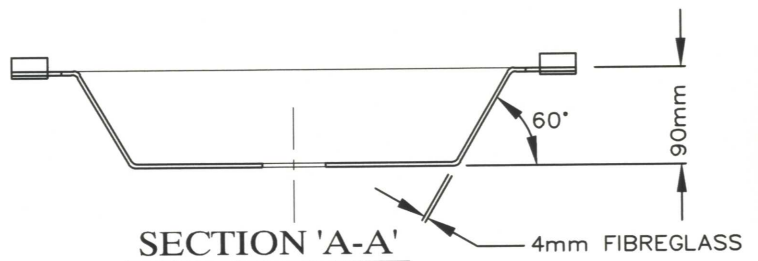
SIZE OF HOLE TO BE  
TO BE DETERMINED  
BY PW OPERATIONS



CATCH BASIN FLOW RESTRICTOR PLATE - PLAN

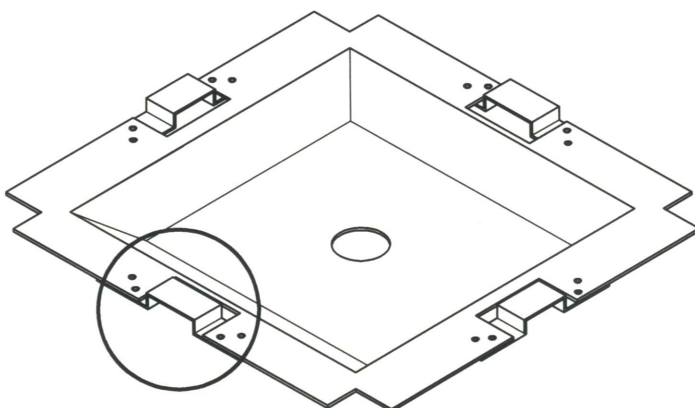


STAINLESS STEEL CLIP  
(RIVETTED IN PLACE)

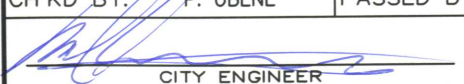


NOTES:

- CORNER AND REAR CUT OUTS TO SUIT CATCH BASIN FRAME;
- NOT PERMITTED ON PRIVATE PROPERTY;



ISOMETRIC VIEW

<b>CITY OF WINDSOR</b>			
ENGINEERING DEPARTMENT			
<b>CATCH BASIN FLOW RESTRICTOR PLATE - FOR R.O.W. ONLY</b>			
DR'N BY:	S.J., N.B.	DATE:	SEPT. 1997
REVISION:	FEB. 2017	CH'KD BY:	R.H.
CH'KD BY:	P. UBENE	PASSED BY:	
 CITY ENGINEER			<b>AS-525</b>