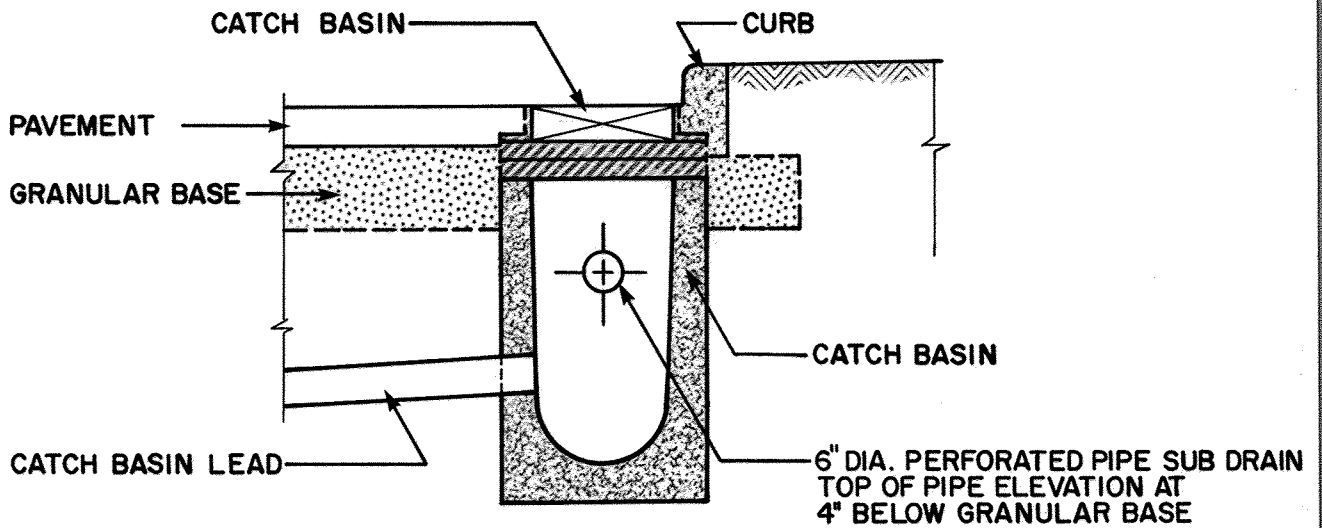
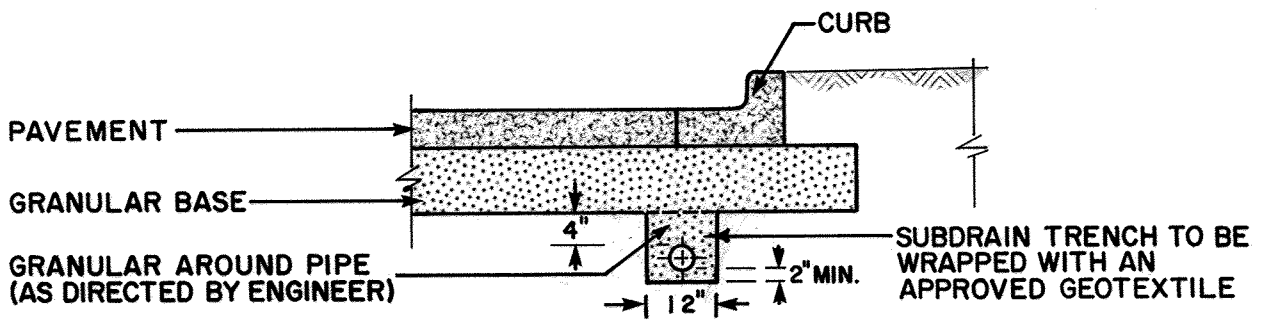


PLAN



SECTION A - A



SECTION B - B

NOTE :

- ALL WORK SHALL CONFORM TO CITY OF WINDSOR SPECIFICATIONS S-1 AND S-2

CITY OF WINDSOR
DEPARTMENT OF PUBLIC WORKS

SUB DRAIN AT CATCH BASIN

DRN. BY: <i>E.E.S.</i>	DATE: <i>JULY 1987</i>
REVISION:	CHKD. BY: <i>[Signature]</i>
CHKD. BY: <i>[Signature]</i>	PASSED BY: <i>[Signature]</i>
<i>[Signature]</i> COMMISSIONER OF WORKS	AS-515