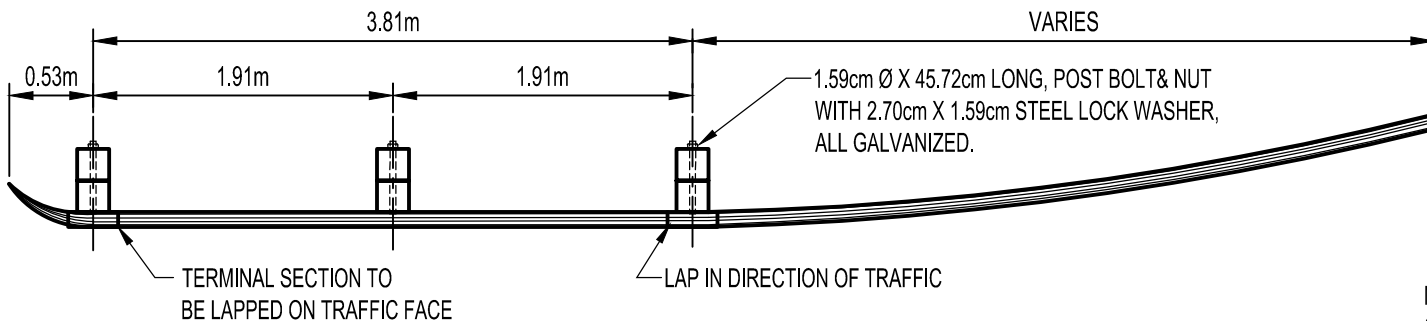
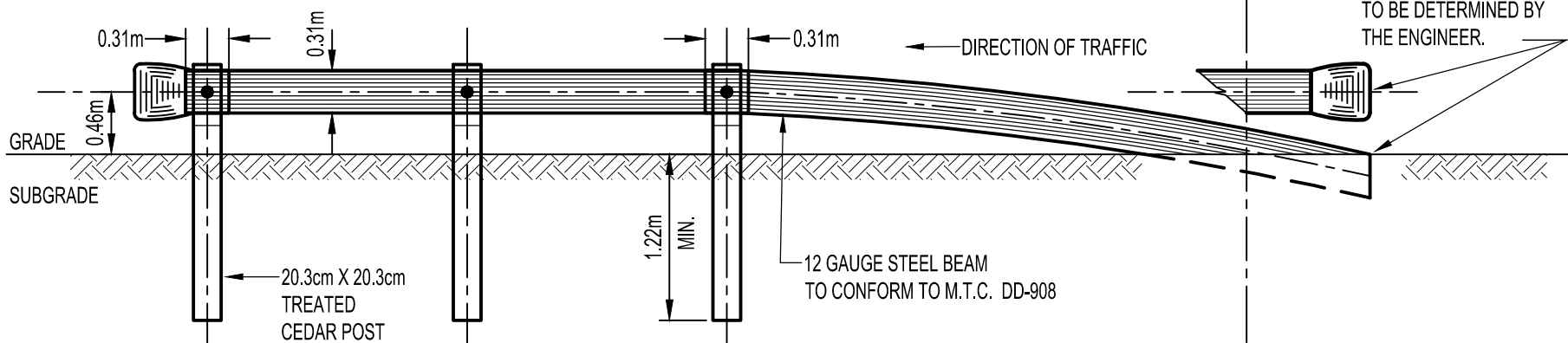


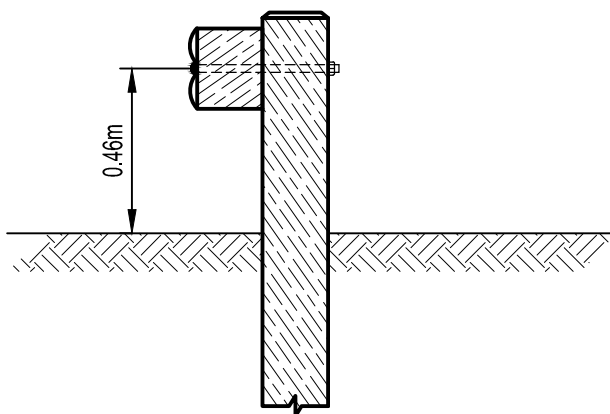
# PLAN



NOTE: END TREATMENT OF STEEL BEAM GUIDE-RAIL TO BE DETERMINED BY THE ENGINEER.



# FRONT ELEVATION



# SIDE ELEVATION

NOT TO SCALE

CITY OF WINDSOR

ENGINEERING DEPARTMENT

## STEEL BEAM GUIDERAIL

DR'N BY: AC, AZ

DATE: MAY, 1975

REV. DATE: JAN, 2024

CH'KD BY(ENG): PM, JH

CH'KD BY(GEO/OPS): PJU, AL

PASSED BY: FM

CITY ENGINEER

AS-215