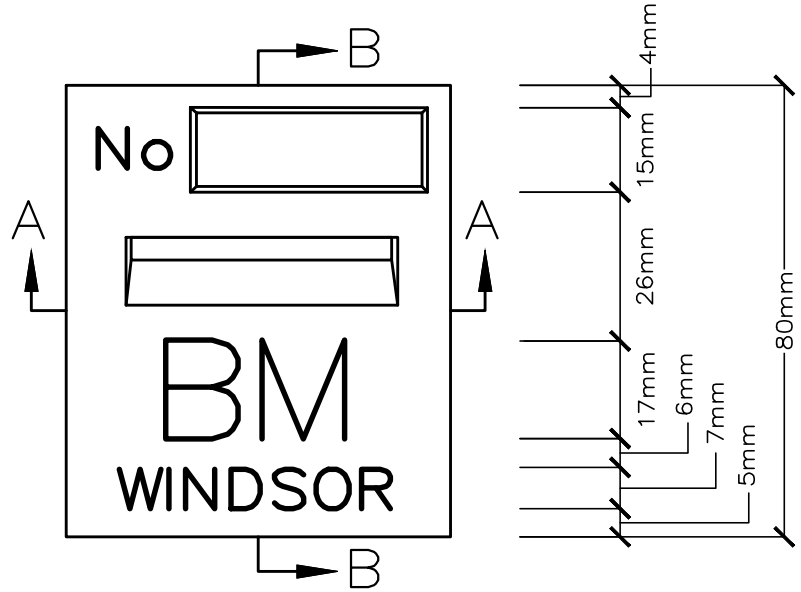
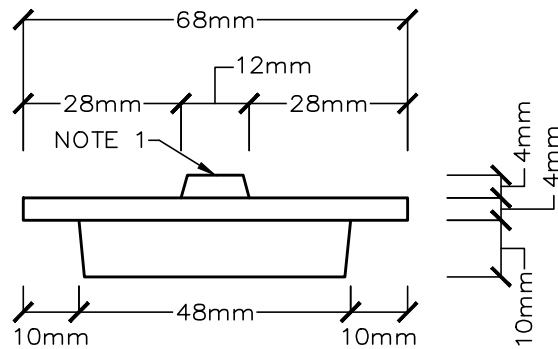


SECTION B-B



FRONT VIEW



SECTION A-A

GENERAL NOTES:

1. THREADED BUMP OUT FOR ANCHOR BOLT



CITY OF WINDSOR

ENGINEERING DEPARTMENT

BENCH MARK PLATE

DR'N BY: KAJ, AZ

DATE: APR, 1971

REV. DATE: JAN, 2024

CH'KD BY (ENG): PM, JH

CH'KD BY (GEO/OPS): PJU, AL

PASSED BY: FM

NOT TO SCALE

CITY ENGINEER

AS-104